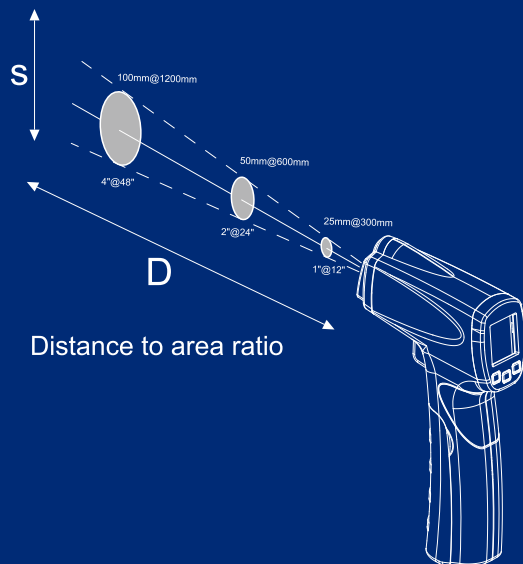


VIT-300S

Infrared Thermometer

VALUE VIT-300S non-contact infrared thermometer can help determine the surface temperature by measuring the infrared energy of the target surface. The design of low power consumption makes the product serve a longer period, reducing the frequency of battery change for users. In addition, the high precision infrared sensor can help users quickly and accurately finish measurement.



Precise Measurement

Precision Infrared Sensor

- Accurate measurement, respond faster

Large-aperture Silicon Mirror

- Measures long distance
- Wide measuring range

One-key Temperature Measurement

- Easy to use, convenient

LCD Backlit Display

- Clear display, easy to read

Model	VIT-300S
Emissivity	0.10~1.00 adjustable
Temperature Range	-32°C~400 °C (-25.6°F~752 °F)
Max Measuring Accuracy	±2°C or ±2%
Response Time	500 mS
Debug Mode	Single-process debugging