

VRD Series Operating Manual

Dual-Stage Oil-sealed Rotary Vane Vacuum Pump



Contents

1. Use Information.....	1
2. Attention	1
3. Description	3
3.1 Principle of Operation.....	3
3.2 Principle of Gas Ballast	3
4. Technical Parameters	4
5. Transport and Storage	5
6. Installation and Connection.....	5
6.1 Installation Dimensions.....	5
6.2 Connection to System	6
6.3 Power Supply and Motor Rotation Direction	7
7. Initial Start and Operation	7
7.1 Start-up	7
7.2 Operation	7
8. Inspection and Maintenance	8
8.1 Inspection	9
8.2 Maintenance	9
9. Troubleshooting	10
10. Warranty	11
11. Accessories	11
11.1 VRD Exploded View	12
11.2 VRD Spare Parts List.....	13

1. Use information

Dear distinguished customer,

Thanks for choosing VALUE vacuum pump of high reliability (Hereinafter referred to as “the pump”).

Please check carefully whether the product received is the same as you ordered and the accessories, spare parts & operating manual are attached as well. Please also check if there’s any damage occurred during transportation. If needed, contact the local distributor or our sales team.


In order to maintain a stable performance level of the pump, read this operating manual carefully to fully understand the safety instructions, technical data as well as operating procedures before installation, operation, repair and maintenance of the pump.


Warning

Failure to observe the terms could result in serious personal injury.

Notice

Failure to observe the terms could result in damage to the pump.

 This warning label indicates risk of electrical shock. Disconnect the pump from the power supply before beginning with connections, repair and maintenance. Make sure the cover of junction box is properly installed before running.

 This warning label indicates high temperature hazard. Do not touch the pump when the pump is in operation.

Notice

Read the operating manual carefully and follow the operating procedures. We reserve the right to modify the design and technical data of the pump without notice which may have discrepancies in the manual. Add vacuum oil as requested before starting the new pump.

2. Attention

In order to ensure the personal safety, read the operating manual carefully before installation, operation, repair and maintenance.

Warning

According to the technical guidelines and wiring regulations for electrical equipment, the power supply must match with the information shown on the pump nameplate and the electrical connections must be performed by a skilled electrician.

Warning

To prevent electrical hazards and sudden start-up hazard which may result in personal injury, disconnect the power supply before checking or repairing the pump.

Warning

Before starting the pump, the motor must be effectively grounded and properly connected with a rated motor protection switch.

Warning

The pump is strictly prohibited to pump dusty, active toxic, corrosive, flammable and explosive gases.

Warning

Do not place obstacles which may affect the ventilation of the motor to avoid burn hazard and fire caused by abnormal temperature rise.

Warning

The exhaust passage must be unimpeded during operation. Make sure that the gas flow from the exhaust port is not blocked or restricted in any way.

Notice

The pump must be operated at ambient temperature between 10 - 40 °C.

Notice

Check the oil level before running. Do not operate the pump without oil or short of oil. Otherwise it will result in pump failure.

Notice

Check oil leakage of the pump to prevent slip hazard caused by spilled oil.

Notice

Running without oil lubrication or wrong rotation direction of the motor may cause pump failure.

Notice

Do not connect the intake port with an overpressure device. Make sure the size of the exhaust passage with absolute pressure is not more than 1.35 bar (relative pressure is not more than 0.35 bar).

Notice

Handling of used oil and other parts must be in compliance with local relevant environmental laws and regulations.

Notice

To pump condensable gases, only use the pump installed with gas ballast.

Notice

While pumping a small amount of dust and condensable gases, an installation of corresponding filters is required. Otherwise it will cause pump failure or sharp drop of performance.

3. Description

VRD series vacuum pump is a high speed, motor direct drive dual-stage oil sealed rotary vane pump. It is an basic equipment to obtain vacuum and can be used to pump inactive gas within the scope of low vacuum and a small amount of non-condensable gas.

The pump is specially suitable for coating, refrigeration, freeze drying, sterilization, instruments analysis, leak detection equipment, heat treatment metallurgy, etc. It can be used as a backing pump for roots pumps as well.

The pump has a reasonable structure design (Refer to Fig. 1) for long failure-free operation. It features high reliability, high flow rate, low ultimate pressure and low noise level. The pump has no oil spray, no leak and easy to maintain.

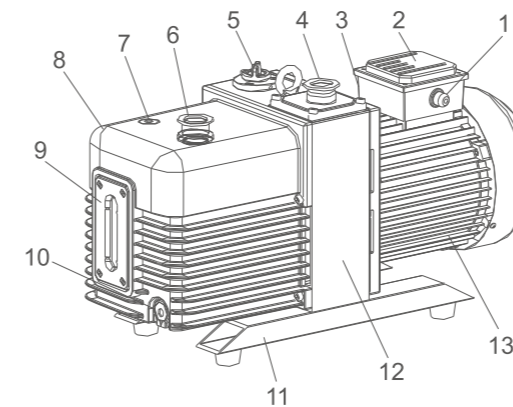


Fig. 1 Outside view

1. Outlet
2. Junction box cover
3. Junction box
4. Intake port
5. Gas ballast
6. Exhaust port
7. Oil fill plug
8. Oil housing assy
9. Sight glass
10. Oil drain plug
11. Pump feet
12. Support
13. Motor

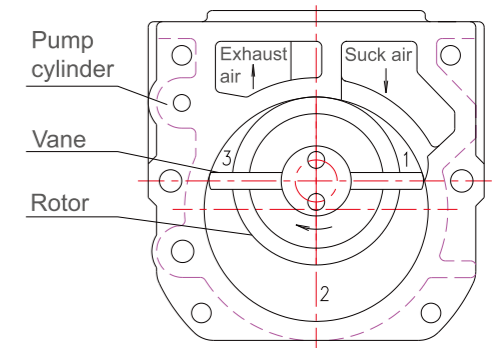


Fig. 2 Functional diagram

3.1 Principle of Operation

Refer to Fig. 2, the rotor mounted eccentrically in the pump cylinder, has two vanes which divide the pump chamber into three changeable compartments. When the rotor rotates clockwise, gas is sucked into chamber 1 gradually, transferred by chamber 2, and compressed and exhausted by chamber 3. The working cycle is repeated to achieve the vacuum of the system. The exhausted gas from the first stage goes into the second stage (low-vacuum stage) through air channel, and is compressed again before discharging into atmosphere to achieve a lower ultimate vacuum pressure.

3.2 Principle of Gas Ballast

The controllable gas (generally dry air at room temperature) is admitted into the pump chamber. It is mixed with pumped vapor during the gas compression process.

This increases the percentage of non-condensable gas such that the partial pressure of the vapor being pumped is below its saturated vapor pressure when the exhaust valve opens. The vapor is then discharged from the pump without liquefaction. The more vapor contained in the pumped gas, the more dry air is required (See Fig. 7 Gas ballast valve).

4. Technical Parameters

Model		VRD-4	VRD-8	VRD-16	VRD-24	VRD-30	VRD-48	VRD-65	VRD-90
Displacement speed m ³ /h(L/s)	50Hz	4(1.1)	8(2.2)	16(4.4)	24(6.6)	30(8.3)	48(13.3)	65(18)	85(23.6)
	60Hz	4.8(1.3)	9.6(2.6)	19.2(5.2)	28.8(7.9)	36(9.9)	57.6(16)	78(21.6)	102(28.3)
Ultimate partial pressure without gas ballast(Pa)		5×10 ⁻²	5×10 ⁻²	4×10 ⁻²	4×10 ⁻²	4×10 ⁻²	4×10 ⁻²	4×10 ⁻²	4×10 ⁻²
Ultimate total pressure without gas ballast(Pa)		5×10 ⁻¹	5×10 ⁻¹	4×10 ⁻¹	4×10 ⁻¹	4×10 ⁻¹	4×10 ⁻¹	4×10 ⁻¹	4×10 ⁻¹
Ultimate total pressure with gas ballast (Pa)		10	10	8×10 ⁻¹	8×10 ⁻¹	8×10 ⁻¹	1.5	1.5	1.5
Power Supply		Single/3-ph	Single/3-ph	Single/3-ph	Single/3-ph	Single/3-ph	3-ph	3-ph	3-ph
Power rating (kW)		0.4/0.37	0.4/0.37	0.75/0.55	1.1/0.75	1.1	1.5	2.2	3
Intake and exhaust DN (mm)		KF16/25	KF16/25	KF25	KF25/40	KF25/40	KF40	KF40	KF40
Oil Capacity (L)		0.6~1	0.6~1	0.9~1.5	1.3~2.0	1.3~2.0	3.3~4.5	3.3~4.5	3.3~4.5
Motor speed (rpm)	50Hz	1440	1440	1440	1440	1440	1440	1440	1440
	60Hz	1720	1720	1720	1720	1720	1720	1720	1720
Ambient temperature		10~40°C	10~40°C	10~40°C	10~40°C	10~40°C	10~40°C	10~40°C	10~40°C
Noise level (dB) 50Hz		≤52	≤52	≤58	≤58	≤58	≤62	≤62	≤65
Weight (kg)		19	21	30	35	43	62	65	65

Table 1

Pumping speed characteristics

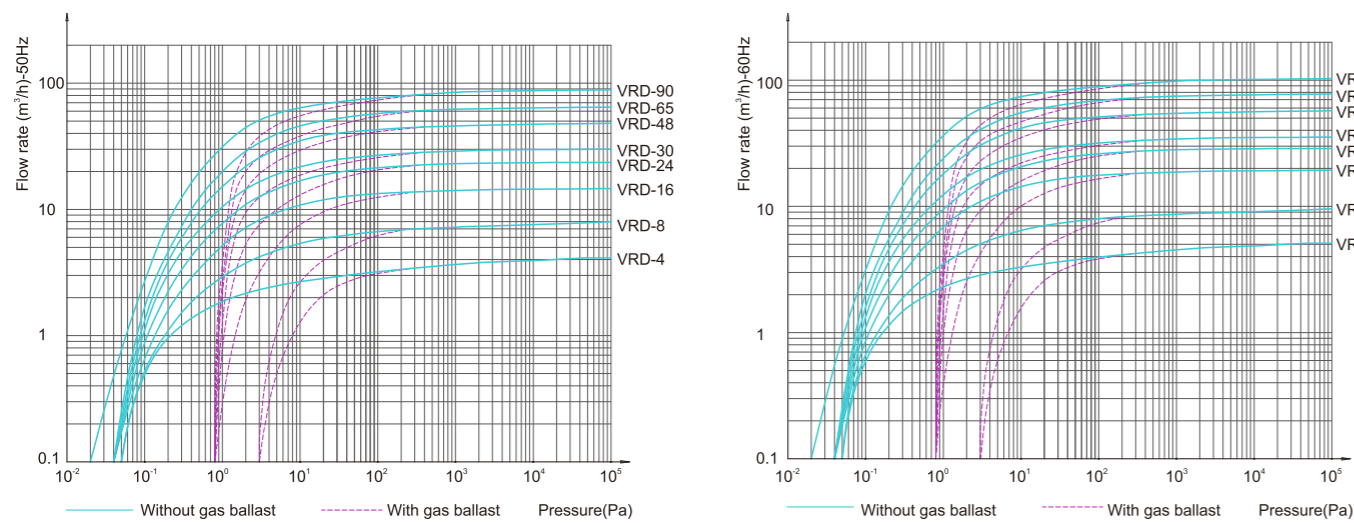


Fig. 3

5. Transport and Storage

Warning

Do not move the pump unless it's switched off and the power supply is disconnected.

Warning

Make sure that the lifting eye is tightened before lifting the pump.

Notice

Check carefully if there's any packaging damage during transportation.

Notice

Move the pump with care. Any negligence will cause pump damage during transportation. In order to avoid oil spilling, move the pump fully filled with oil in horizontal direction.

Notice

Handling of used packing material shall be in compliance with local environmental laws and regulations.

Notice

For long term storage, clean the pump and empty the oil inside. Store the pump in a dry place at room temperature.

6. Installation and Connection

6.1 Installation Dimensions

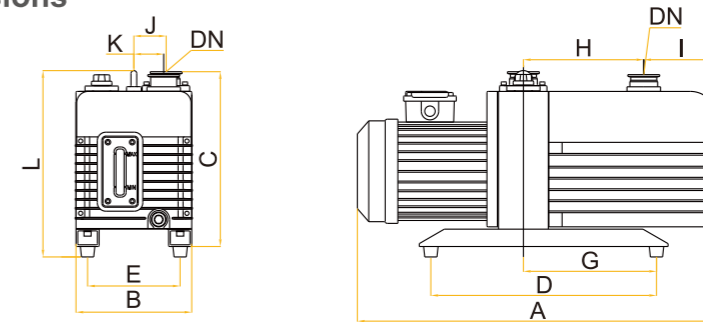


Fig. 4

The dimension for VRD series pump

Model	A	B	C	D	E	G	H	I	J	K	L	DN
VRD-4	445	144	217	210	110	105	143.5	45	45.5	34	/	KF16/25
VRD-8	445	144	217	210	110	105	143.5	45	45.5	34	/	KF16/25
VRD-16	535	188	275.5	320	148	160	165	69	59	38	295	KF25
VRD-24	567	188	275.5	320	148	160	185	82	59	47	295	KF25/40
VRD-30	567	188	275.5	320	148	160	185	82	59	47	295	KF25/40
VRD-48	730	234	358	396	190	200	223	157	69	55	390	KF40
VRD-65	730	234	358	396	190	200	223	157	69	55	390	KF40
VRD-90	730	234	358	396	190	200	223	157	69	55	390	KF40

Table 2

6.2 Connection to System

Warning

The pump is strictly forbidden to operate in areas with risk of fire and explosion.

Warning

Make sure the gas flow at the exhaust port is not blocked or restricted in any way. Check to ensure the exhaust line is not obstructed by deposits before start-up.

Warning

The exhaust pressure shall not be 1.15 bar higher than the absolute pressure (relative pressure 0.15 bar) but not be lower than atmospheric pressure.

Notice

Take the following into account to choose the pump installation site: convenient for installation, maintenance, disassembly and electrical connections as well as good ventilation.

Notice

Place the pump feet horizontally or fix the feet with bolts while connecting the pump to vacuum system.

Notice

Oblique installation may result in pump's vibration, high noise or even damage. The pump shall be set up on a flat and firm surface.

Notice

The length of connecting line between pump and vacuum system shall be as short as possible. The diameter of the connecting line shall be the same as that of intake port.

Notice

The hoop at intake port is available for connection with vacuum hose or regular vacuum pipe. No any stress generated by the pipe on the hoop is allowed while connecting.

Notice

The exhaust line should be laid so that it slopes down so as to prevent condensate from backstreaming into the pump and contaminating the oil. Drain the oil in the exhaust line periodically to avoid block of exhaust line. If the exhaust line slopes up, the installation of a condensate trap is necessary. Check leak of the connection between pipe and flange. Vacuum tightness is essential for the achievement of ultimate pressure of the pump.

6.3 Power Supply and Motor Rotation Direction

Warning

Make sure the power supply is correct. The electrical connections must be performed by a skilled electrician according to the technical guidelines and wiring regulations for electrical equipment. For 3-phase motor, open the junction box cover and make the connections according to the wiring diagram refer to Fig. 5. No components are supplied for electrical connections. The extra selected cable and motor protection switch shall have the same rated current value as stated on the motor nameplate.

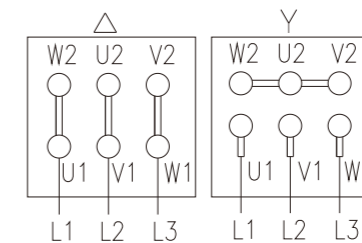


Fig. 5 Wiring diagram for 3 wires (left) and 6 wires (right)

How to check rotation direction of 3-phase motor:

Check whether the motor rotation direction is the same as the indicated arrow on the motor. In case that an incorrect direction is found, cut off the power immediately and interchange any 2 wires of W1, U1 and V1 for 3-wire connection. For 6-wire connection exchange any 2 wires of L1, L2 and L3.

7. Initial Start and Operation

7.1 Start-up

Warning

Make sure the gas flow at the exhaust port is not blocked or restricted in any way. Do not start the pump if the exhaust port is blocked.

Warning

The oil level shall be kept between position MAX and MIN of oil sight glass. Excessive or insufficient oil will decrease the pump performance or even cause malfunction. The pump must be stopped before adding oil.

Warning

Make sure the gas flow at the exhaust port is not blocked or restricted in anyway. Do not start the pump if the exhaust port is blocked.

Notice

The operating ambient temperature is 10 - 40 °C and humidity should be less than 85%.

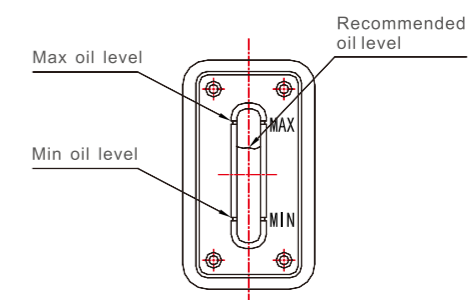


Fig. 6

7.2 Operation

Notice

High temperature hazard! Do not touch the surface! The surface of the pump could be very hot during operation and after shutdown within one hour.

Pumping non-condensable gases

Close the gas ballast to pump non-condensable gases (Set the gas ballast to position C, refer to Fig. 7). The ultimate pressure will rise (loss of vacuum) with gas ballast opened.



Fig. 7 Gas Ballast Valve

Pumping condensable gases and vapor

If the vacuum system contains a small amount of condensable gas, open the gas ballast valve (Set the gas ballast to position I or II, refer to Fig. 7) and keep the pump running for at least 30 minutes to pump the condensable gas effectively. Close the gas ballast valve when the vacuum system pressure is reduced to a certain value. If the pump operates at low temperature, condensable gas may be dissolved in the pump oil. The oil may be emulsified or deteriorated which will affect the pump performance, even cause corrosion of the pump body.

The rise of oil level during pump operation is a sign of condensable gas contained in the vacuum system.

Do not switch off the pump immediately when the process is finished. Keep the pump running with gas ballast open and intake port closed until all gases dissolved in the oil are removed.

8. Inspection and Maintenance

Warning

All checks and maintenance must be performed by trained personnel in accordance with local safety rules and regulations.

Warning

In case of presence of hazardous substances due to oil decomposition or media sucked into the pump, it's necessary to define the hazard and take all necessary safety precautions.

Warning

In the presence of hazardous substances, determine the hazard in the first time and follow all appropriate safety procedures. If the potential hazard still exists, the pump must be decontaminated before any maintenance.

8.1 Routine inspection

Content	Operation	Interval	Remarks
Oil level	Visual inspection	Every three days	8.2.1
Oil color	Visual inspection	Every three days	8.2.1
Pump noise	Acoustic inspection	Every three days	8.2.2
Pump vibration	Visual inspection	Every three days	Check the pump feet or feet bolts in case of abnormal vibration.
Pump temperature	Temperature meter	Every one week	Check and clean fan of the pump and motor for deposits.
Seal & O-ring	Visual inspection	Every one month	Replace it if necessary
Dirt trap	Visual inspection	Every one month	Check and clean the foreign matter. Dry it by compressed air.

Table 3

8.2 Maintenance

8.2.1 Checking oil level

- 1) The oil level shall be always kept between position MAX and MIN of oil sight glass during operation (refer to Fig. 6). Add oil when the oil level is lower than position MIN and discharge oil by removing the oil drain plug (refer to Fig. 1) when the oil level is above position MAX.
- 2) Check the oil color. Replace the oil if the color is other than clear and transparent.

8.2.2 Checking pump's noise

The pump noise shall be continuous and stable during operation. If any abnormal noise is found, refer to Table 4 Troubleshooting.

8.2.3 Changing oil

- 1) Change the oil when the pump is switched off and cooled down.
- 2) Remove the oil drain plug (Fig. 1) and drain the used oil into a suitable receptacle. When the flow of oil stops, screw on the oil drain plug and start the pump shortly (10 seconds). Switch off the pump, remove the plug again and drain the residual oil. Screw on the oil drain plug (Check O-ring, replace it if necessary). Remove the oil fill plug (Fig. 1) and fill in fresh pump oil which is specified or provided by the manufacturer.
- 3) After oil changing, handle the used oil stored in an assigned container according to local relevant environmental laws and regulations.

8.2.4 Regularly checking intake filter and anti-suckback valve

Regularly take down the intake port and clean the filter by compressed air. Check the seal position of anti-suckback valve for cleanness, damage, hardening and height.

8.2.5 Regularly checking fan cover and motor fan

Regularly remove the clean the fan cover and motor fan. Clean them by compressed air and reinstall them properly before pump operation.

9. Troubleshooting

Fault	Possible reason	Remedy
Pump cannot start	1. Wiring is malfunctioning.	1. Check and repair wiring.
	2. Operation voltage is abnormal.	2. Make sure the voltage is within rated voltage's tolerance of $\pm 10\%$.
	3. Motor is malfunctioning.	3. Replace the motor.
	4. Overload protector is active.	4. Check the ambient temperature or pumped gases temperature.
	5. Oil temperature is below 10°C	5. Increase the ambient temperature.
	6. Pump is jammed.	6. Repair the pump.
	7. Out of operating for long.	7. Repair the pump.
	8. Oil is too viscous.	8. Change the oil.
	9. Exhaust filter or exhaust line is clogged.	9. Replace the filter or clean the exhaust line.
	10. Pump inner parts are damaged.	10. Repair the pump.
Pump cannot reach ultimate pressure.	1. Vacuum system configuration is unreasonable.	1. Choose a suitable pump.
	2. Vacuum system leak.	2. Check the system.
	3. Measuring technique or gauge is unsuitable.	3. Use correct measuring technique and gauge. Measure the pressure directly at pump's intake port.
	4. Poor lubrication.	
	4.1 Oil filter is obstructed.	4.1 Change the oil filter.
	4.2 Oil is unsuitable.	4.2 Change the oil.
	4.3 Oil channel is obstructed.	4.3 Clean the channel.
	4.4 Oil is insufficient.	4.4 Add the oil to the level as requested.
Pumping speed is too low.	5. Anti-suckback oil valve is malfunctioning.	5. Repair anti-suckback oil valve.
	6. Intake line is dirty.	6. Clean vacuum lines.
	1. Intake port line is clogged.	1. Clean the intake port line.
	2. Connecting lines are too narrow or too long.	2. Use adequately wide and short connecting lines.
	3. Exhaust line is clogged.	3. Keep exhaust port line unobstructed.
	4. Oil mist filter is clogged.	4. Change the oil mist filter.
Noise is abnormal.	5. Anti-suckback oil valve is malfunctioning.	5. Repair anti-suckback oil valve.
	1. Operation voltage is abnormal.	1.1 Check the power supply, switches and wiring connection. 1.2 Make sure the voltage is within rated voltage's tolerance of $\pm 10\%$.
	2. Foreign matters entering into the pump.	2. Repair the pump.
	3. The oil level of the pump is too low.	3. Add the oil to the level as requested.
Pump gets hotter than usually observed.	4. The pump inner parts are damaged.	4. Disassembly and replace the parts.
	1. Poor ventilation.	1. Improve ventilation environment.
	2. The fan is damaged.	2. Change the fan.
	3. Pumped gas temperature is too high.	3. Add cold trap at intake port.
	4. Poor lubrication.	
	4.1 The oil filter or exhaust line is clogged.	4.1 Replace oil filter or clean the exhaust line.
	4.2 Oil is unsuitable.	4.2 Change the oil.
	4.3 Oil channel is obstructed.	4.3 Clean the channel.
	4.4 Oil is insufficient.	4.4 Add the oil to the level as requested.
	5. The condensator is dirty.	5. Clean the condensator.
6. Ambient temperature is too high.	6. Reduce ambient temperature.	

Fault	Possible reason	Remedy
Oil in the intake line or in vacuum vessel.	1. Oil comes from the vacuum system.	1. Check the vacuum system.
	2. Anti-suckback valve spring is obstructed.	2. Replace anti-suckback valve spring.
	3. Anti-suckback valve plate is obstructed.	3. Replace anti-suckback valve plate.
Vacuum pressure in system rises too fast when pump stops.	4. Oil level is high.	4. Drain the excess oil.
	1. Vacuum system leak.	1. Check the system.
	2. Anti-suckback valve is malfunctioning.	2. Repair anti-suckback valve.
Too much oil in the exhaust port.	1. Too much oil in the pump.	1. Drain some oil.
	2. Continuous operation under high pressure in the intake port.	2. Shorten exhaust time.
	3. Oil mist filter is obstructed.	3. Replace oil mist filter.
Sealing surface leak	1. The seal is damaged.	1. Replace the seal.
	2. Seal ring is damaged.	2. Replace the seal ring.

Table 4

10. Warranty

VRD series vacuum pumps have one year guarantee from the date of purchase. Spare parts will be provided free of charge within the period of guarantee in condition that the pump is operated according to the operating manual. The following failures will be charged for repair:

- 1) Malfunction caused by nature disasters or artificial factors
- 2) Malfunction caused by special operating environment
- 3) Damage of wear parts
- 4) Malfunction caused by abnormal operation or incorrect use identified by our engineers

Before the pump is delivered to our company for maintenance, it is required to acquire the information if the pump is contaminated (and which kind of pollutants) or hazardous substances exist inside the pump. Without receiving this statement in advance, the pump will be returned to the address of the sender.

11. Accessories

To ensure the stability of the pump, it is recommended to use genuine spare parts and accessories provided by the manufacturer. If you need further assistance, please contact us.

The accessories below are for your selection:

- 1) Wear parts. Check the exploded view and spare parts list to select the required spare parts with corresponding item numbers.
- 2) Intake port/exhaust port other than default one
- 3) Dust filter

Correct Disposal of this product:

This marking indicates that this product should not be disposed with other household wastes. To prevent possible harm to the environment or human health from uncontrolled waste disposal, please use the return and collection systems or contact the retailer where the product was purchased. They can take this product for environmental safe recycling.



11.1 VRD Exploded View

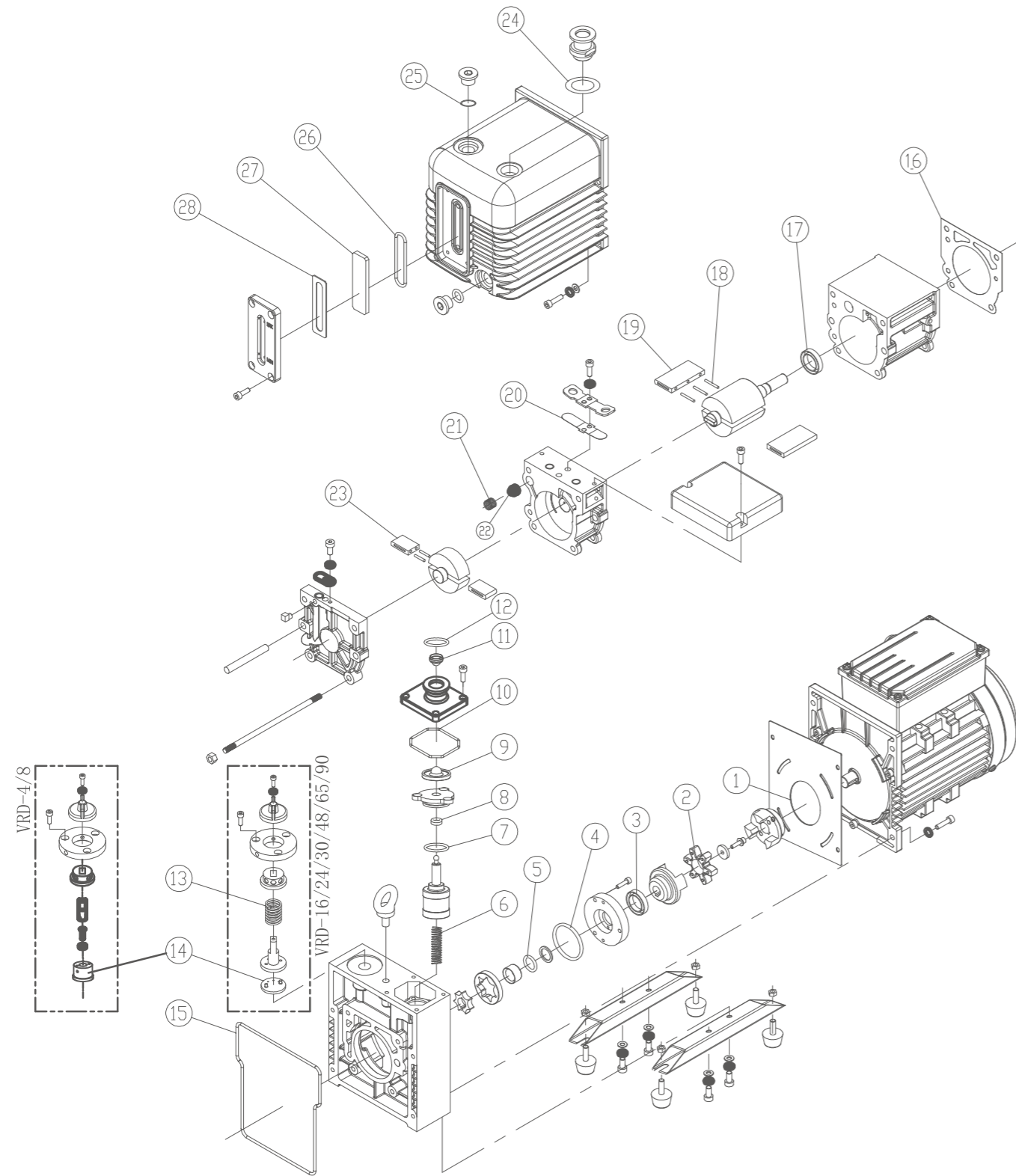


Fig. 8

11.2 VRD Spare Parts List

NO.	Item	Material	Code			Position	Qty
			VRD-4/8	VRD-16/24/30	VRD-48/65/90		
1	Washer	Card board	/	320220101	320220201	Motor	1
2	Spider	Rubber	320050201	320050101 (3-Phase) 320050102 (1-Phase)	320050301	Coupling	1
3	Seal	FKM	300281802	300281601	300280802	Oil pump cover	1
4	O ring	FKM	300310131	300310072	300310140	Front stator	1
5	O ring	FKM	300310121	300310137	300310143	Front rotor	1
6	Spring	SUS	320110203	320110205		Trestle	1
7	O ring	FKM	300310123	300310074		Anti-suckback cover	1
8	Seal	FKM	300280901			Anti-suckback cover	1
9	Valve	FKM	320510101		320510201	Anti-suckback piston	1
10	O ring	FKM	300310125	300310073	300310141	Intake port	1
11	Filter	SUS	KF16:320340201 KF25:320340401	KF25:320340101 KF40:320340301	320340302	Intake port	1
12	O ring	FKM	KF16:300310120	KF25:300310070	KF40:300310127	Intake/outlet port	2
13	Spring	SUS	/	320110302		Gas ballast	1
14	Washer	FKM	320690101	320230101		Gas ballast	1
15	O ring	FKM	300310080	300310079	300310142	Trestle	1
16	Gasket	Paper	320210201	320210101	320210301	Front chanter	1
17	Seal	FKM	300281301	300280602	300281401	Front chanter	1
18	Spring	SUS	320110104		320110103	Front/rear rotor	VRD-4/8/48/65:4 VRD-16/24/30:6
19	Vane	Resin board	VRD-4:320100921 VRD-8:320100501	VRD-16:320100101 VRD-24:320100301 VRD-30:320100401	VRD-48:320101004 VRD-65:320101104 VRD-90:320102401	Front rotor	2 2 2
20	Valve	SUS	320240201	320240101	320240301	Rear chanter Front chanter and Rear chanter	VRD-48/65:3 VRD-90:4
21	Spring	SUS	310080301			Rear chanter	1
22	Valve	FKM	311150103			Rear chanter	1
23	Vane	Resin board	320100601	320100201	VRD-48/65:320101201 VRD-90:320102411	Rear rotor	2
24	washer	Paper	320200201	320200101	320200301	Outlet port	1
25	O ring	FKM	300310081			Oil-drain screw	2
26	O ring	FKM	320160201	320160101		Oil sight	1
27	Oil sight	Glass	320170201	320170101		Oil sight	1
28	washer	FKM	320190201	320190101		Oil sight	1

REMARK: 1) Please refer to the exploding drawing for the relationships of each spare part.
2) We reserve the right to modify the design and specified data in this operating manual without notice.