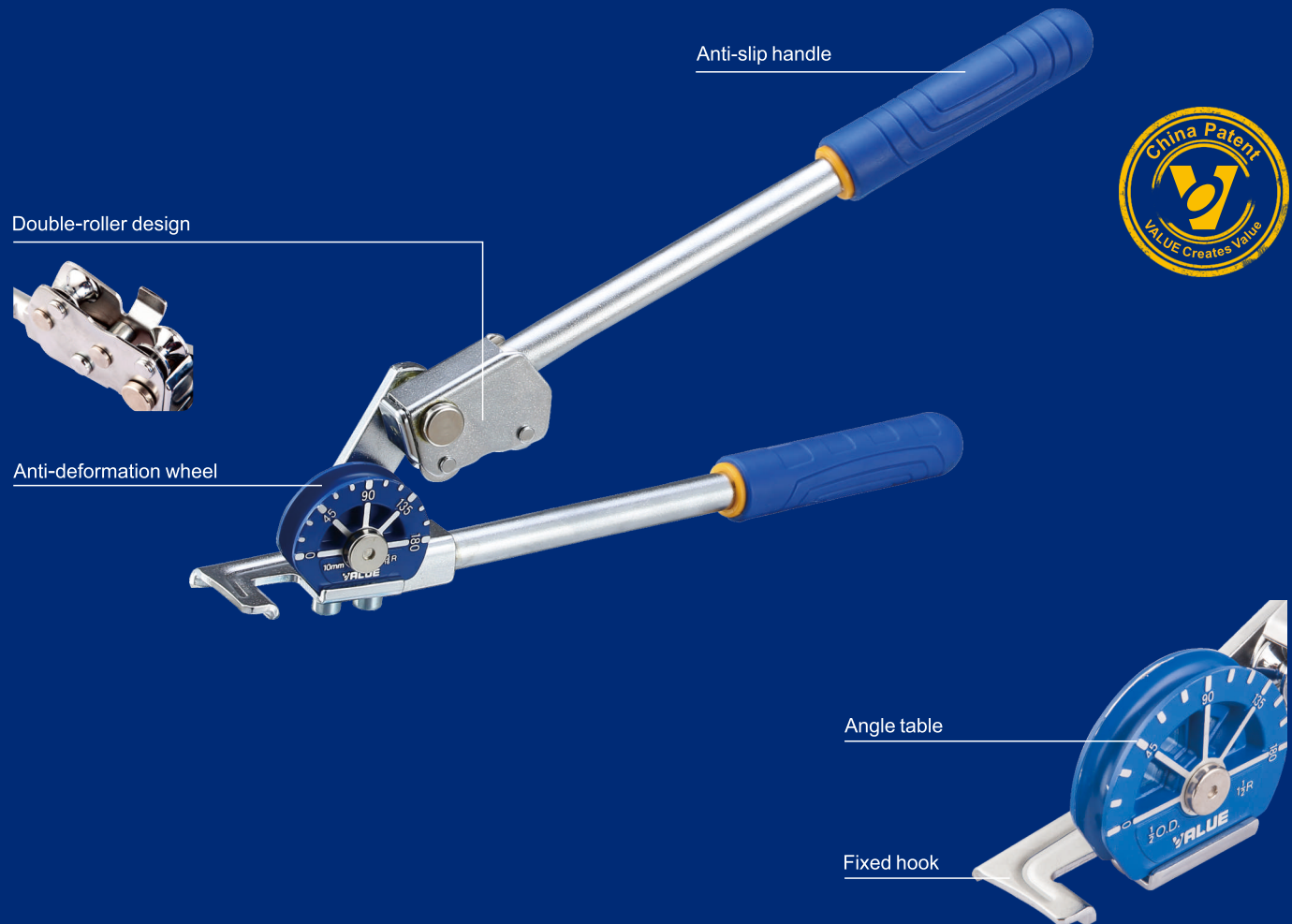


Bending Tool



Easy to Bend

Double-roller

- Unique X-TURN steering structure
It's easier to bend on 90°
- Double-roller, reducing the pipe's friction, easy to bend

Angle Table

- The angle of bending is clearly visible

Anti-slip Handle

- Easy to use

VBT-1/2 Bending Tool

Model	VBT-1	VBT-1A	VBT-2	VBT-2A
Bending Size	3/8"	10 mm	1/2"	12 mm
Bending Radius	15/16"	15/16"	1-1/2"	1-1/2"
Bending Angle	0 ~ 180°			
Applicable Material	All soft pipes, thin-wall copper pipes and annealed treated hard pipe			